



PRODUCT DATASHEET

Lenina series

last update 31/10/2016

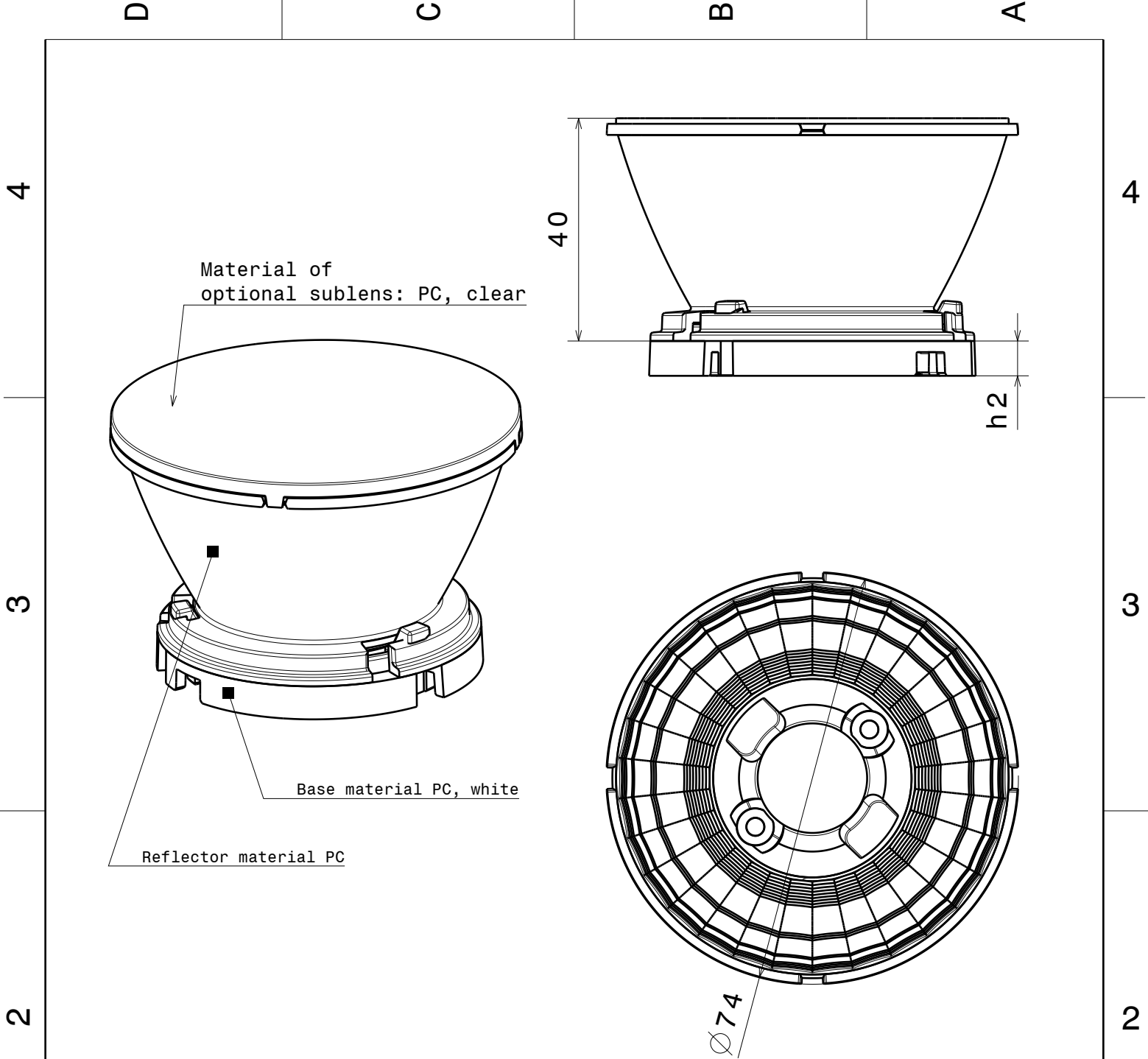
DETAILS

Product Number	CN12656_LENINA-S
Family	Lenina
Type	RefPack
Color	metal
Diameter	74 mm
Height	44,5 mm
Style	round
Optic Material	
Holder Material	
Fastening	screw
Status	production ready
ROHS Compliant	Yes
Date Updated	31/10/2016

OPTICAL PROPERTIES

LED	Viewing Angle	Light Beam	Efficiency	cd/lm	Connector
BXRA RS	28 deg	Spot	89 %	2.292	-





NOTE:

Using optional sublens, add 2.1mm to the system height

Dimension 'h2' varies from 4.5mm to 7mm depending on the LED specific base part

This drawing is our property. It can't be reproduced or communicated without our written agreement.



Ledil Oy
Salorankatu 10
FIN-24240 SALO
Finland

DRAWING TITLE

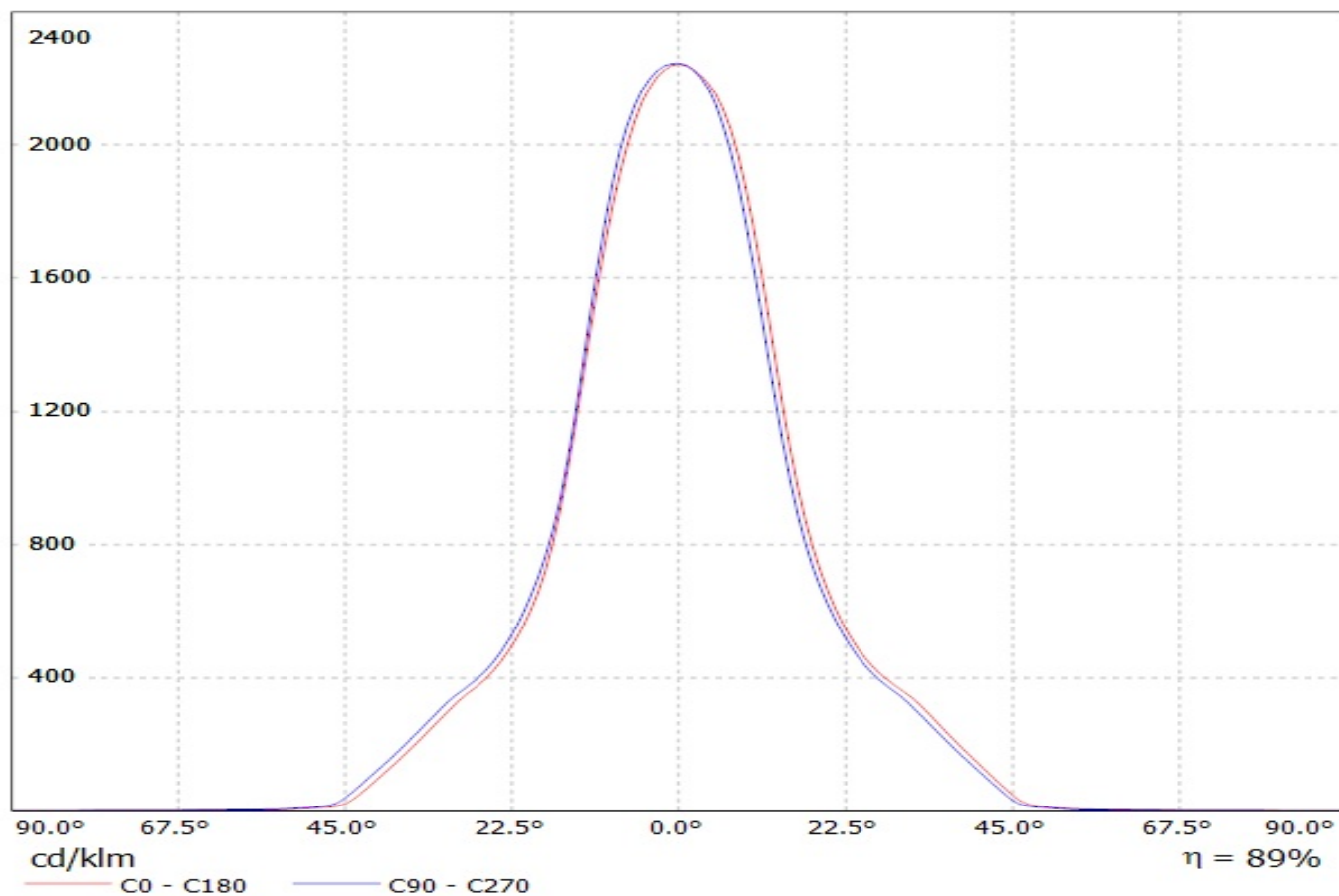
Datasheet Lenina series

DRAWN BY ks		DATE 23.04.2014		SIZE A4				DRAWING NUMBER --		REV 1	
CHECKED BY		DATE		SCALE 1:1		WEIGHT (g)		SHEET 1/1			
DESIGNED BY pl		DATE 08.03.2012									

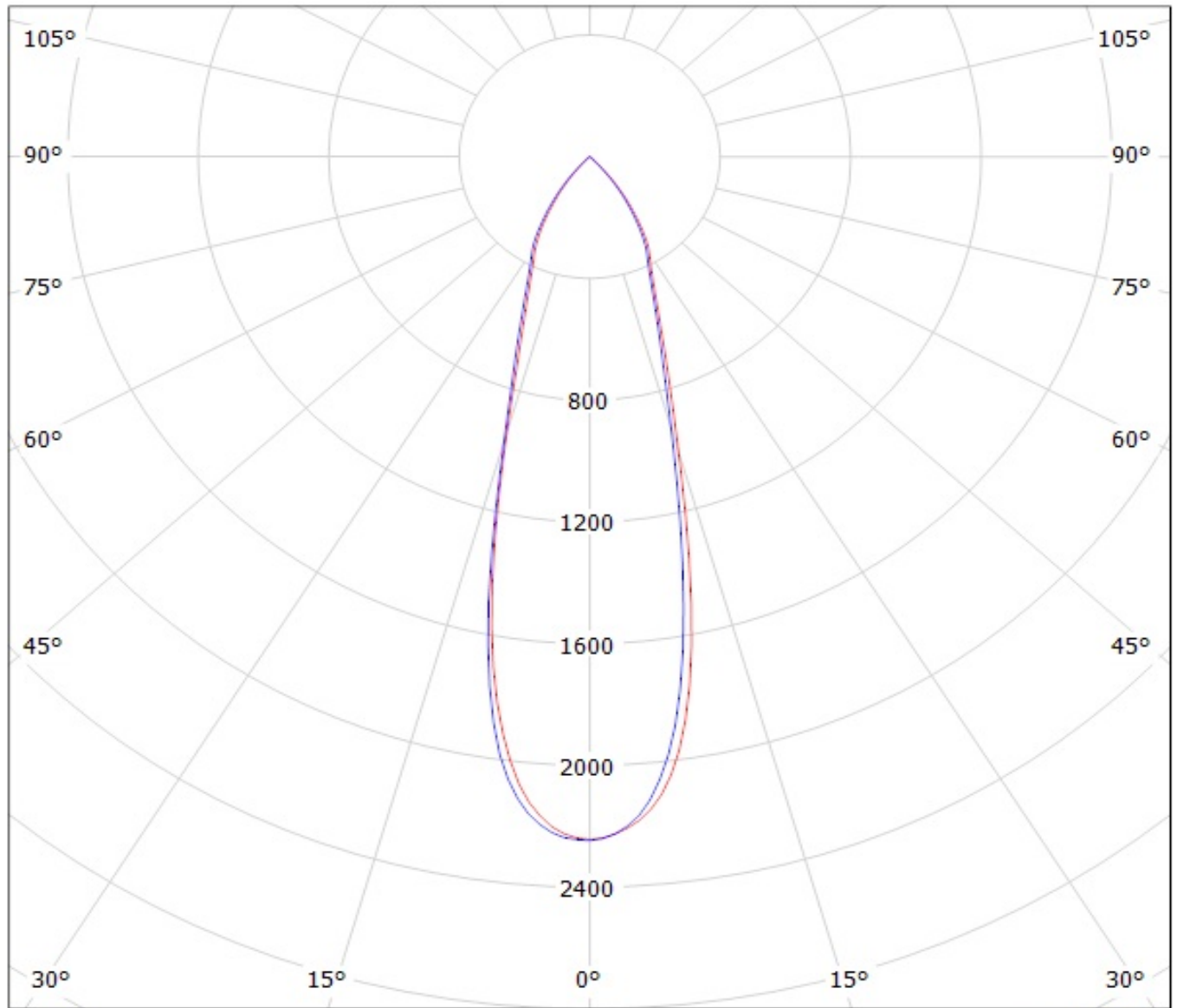
D

A

Luminaire: LEDIL OY CN12656_LENINA-S_(BRXA_RS)
Lamps: 1 x Bridgelux RS (591.4lm)



Luminaire: LEDIL OY CN12656_LENINA-S_(BRXA_RS)
Lamps: 1 x Bridgelux RS (591.4lm)



cd/klm
— C0 - C180 — C90 - C270

$\eta = 89\%$

NOTE: The typical divergence will be changed by different color, chip size and chip position tolerance. The typical total divergence is the full angle measured where the luminous intensity is half of the peak value.